

**FLYING INSECT EXTERMINATOR
GENERAL INFORMATION**



These instructions are intended for the USER.

Read the warnings they contain carefully since they provide important guidance for safe installation, use and maintenance.

KEEP THESE INSTRUCTIONS IN A SAFE PLACE FOR FURTHER CONSULTATION.

1 - OPERATION

The insects are attracted by the ultraviolet light emitted by the special lamp. They are then electrocuted by the electrified grid and fall into an easily emptied tray.

2 - SAFETY

Before connecting the device, check that the nameplate specifications give the same ratings as the mains power supply and that the connection socket is protected by a differential security breaker.

If the plug on the device power supply lead does not fit into the mains socket, have the socket replaced by a qualified electrician.

Also make sure that the socket wires are of suitable gauge for the exterminator's power absorption.

This device must only be used for the purpose for which it was expressly designed. Any other use must be considered improper and thus hazardous. The constructor may not be held responsible for any damage deriving from improper, incorrect or unreasonable use.

A number of fundamental rules must be observed when using any electrical device. In particular:

- REMOVE THE PLUG FROM THE MAINS SOCKET BEFORE ANY MAINTENANCE WORK.
- NEVER TOUCH THE DEVICE WITH WET HANDS AND BARE FEET.
- NEVER PULL THE POWER LEAD OR THE DEVICE ITSELF TO DISCONNECT THE PLUG FROM THE MAINS SOCKET.
- NEVER IMMERSE THE DEVICE IN WATER AND NEVER CLEAN IT BY SPRAYING IT WITH WATER.

3 - ASSEMBLY

Remove the packaging and make sure that nothing is left inside the box (particularly the hanging chains and insect collection tray).

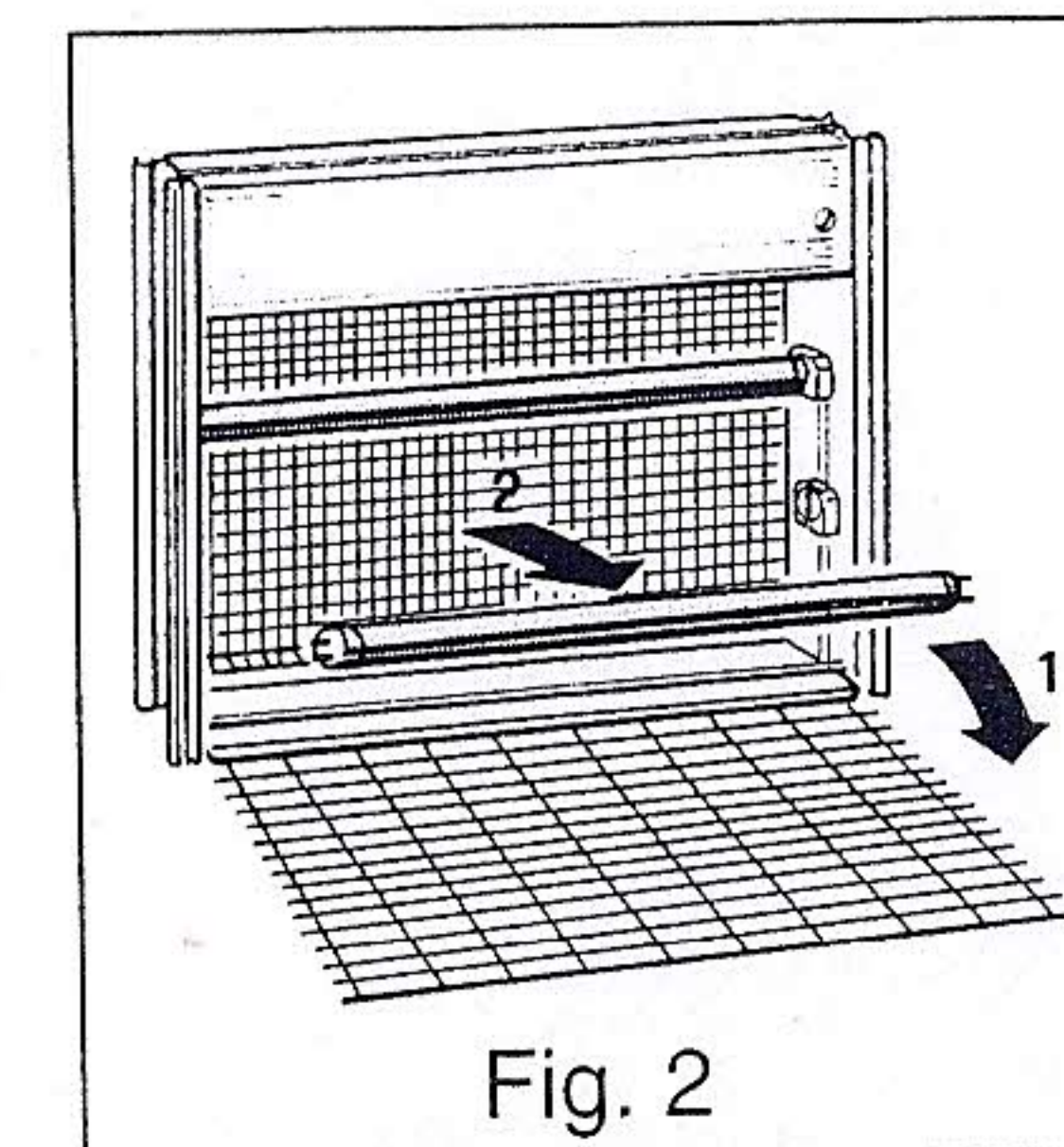
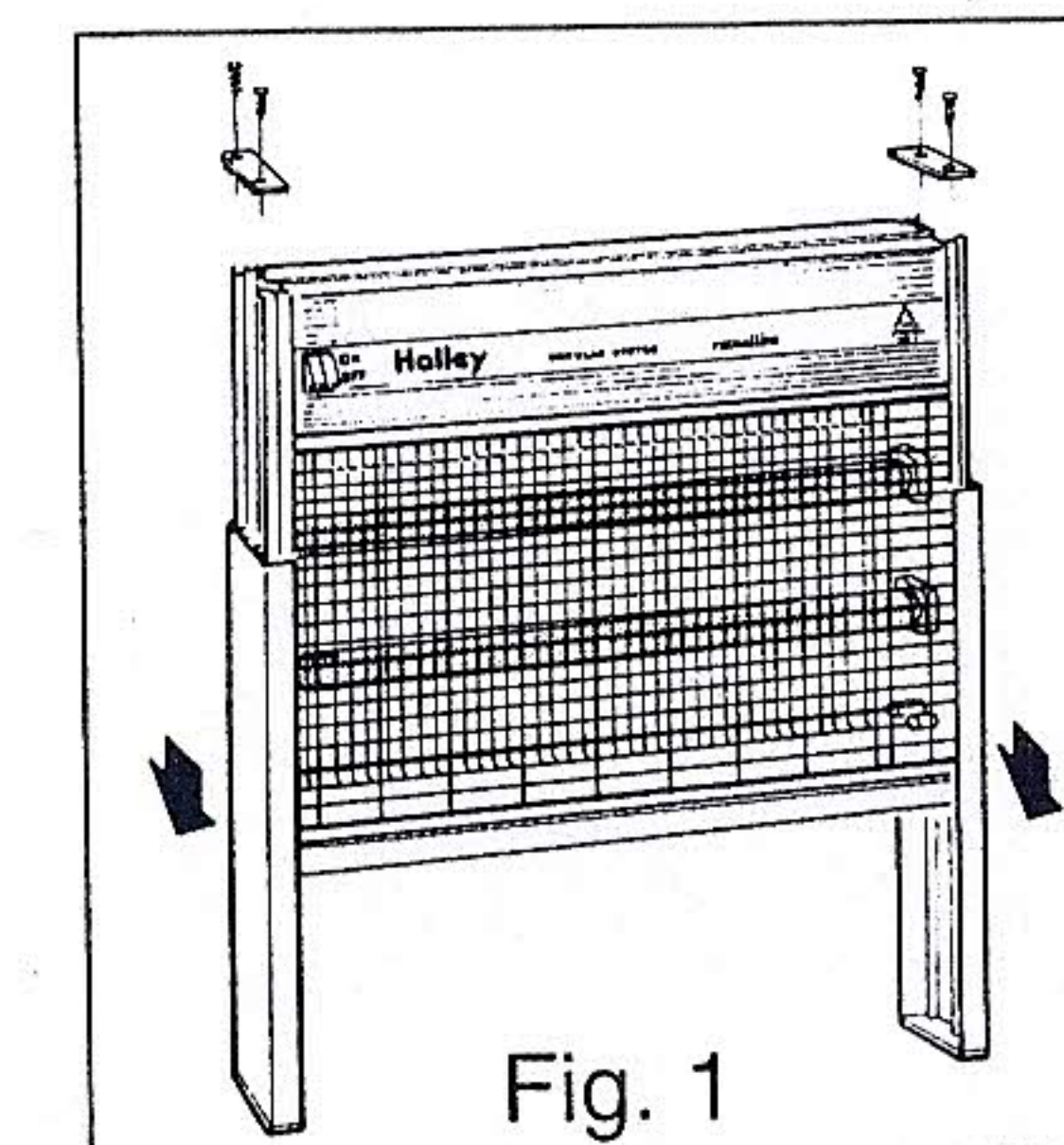
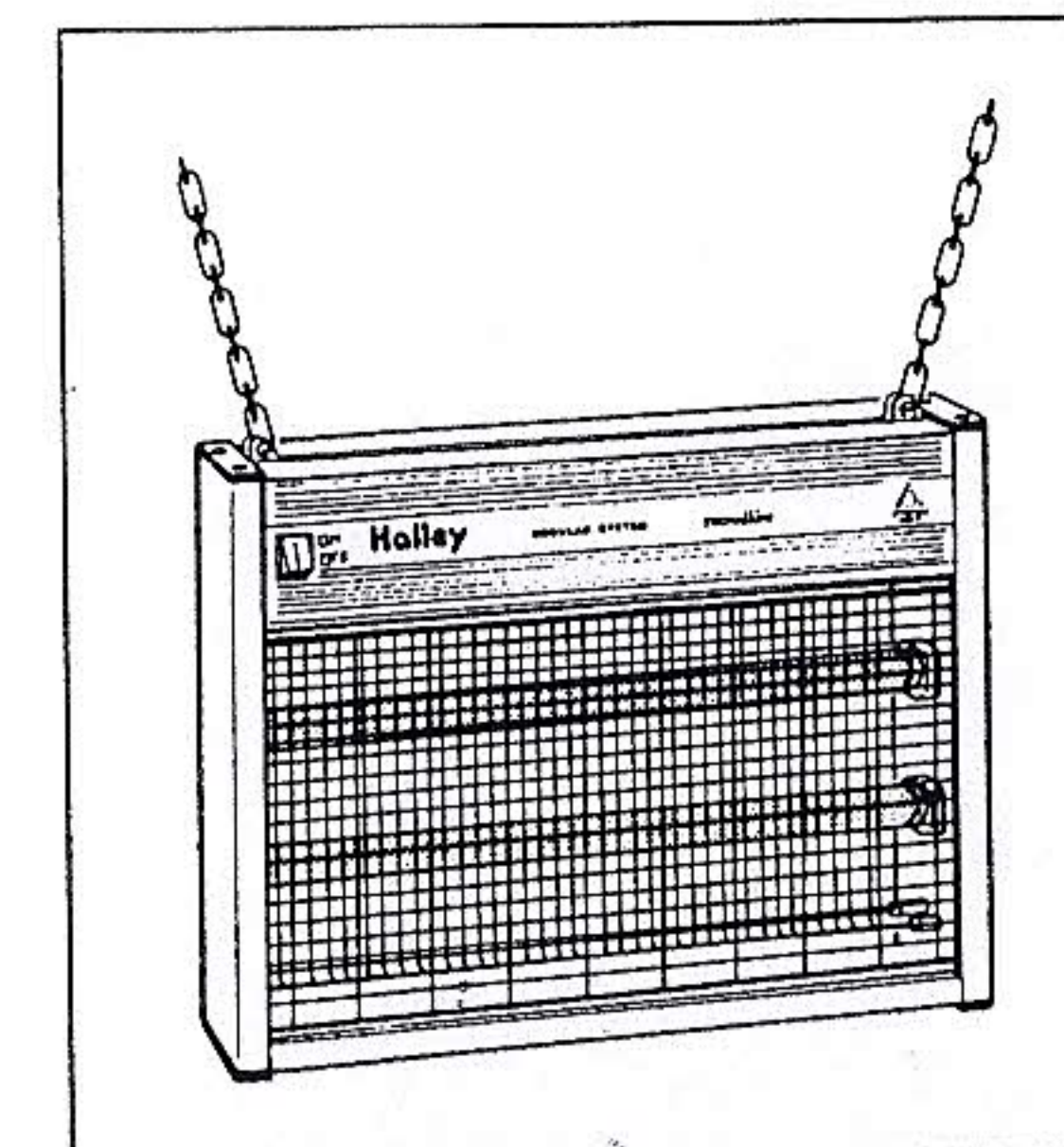
The device is normally hung from the ceiling using the hanging chains provided at a height of about 3 metres above the ground, protected from draughts.

4 - MAINTENANCE

Extract the tray to remove dead insects.

The grid and lamp can be clean using a cloth or brush.

IMPORTANT - THIS DEVICE MUST NOT BE USED OUTDOORS.



REPLACING THE LAMPS

Before carrying out this operation, disconnect from the power supply by removing the plug, and extract the collection dish.

1. Remove the screws and black covers (see Fig. 1), then slide off the side covers.
2. Remove the black protection grids (see Fig. 2), then replace the lamps.

SPARE PARTS

2062	2100	2138 - 2214 - 2214/B
1 Top cover	1 Top cover	1 Top cover
2 Head	2 Head	2 Head
3 Right side	3 Right side	3 Right side
4 Left side	4 Left side	4 Left side
5 Side cover	5 Side cover	5 Side cover
6 Base	6 Base	6 Base
7 Screw Ø 3,9x12	7 Hook	7 Hook
8 Feeding cable	8 Feeding cable	8 Feeding cable
9 Clamping screw	9 Clamping screw	9 Clamping screw
10 Switch	10 Switch	10 Switch
11 Connecting terminal	11 Connecting terminal	11 Reactor 40W
12 Transformer	12 Transformer	12 Transformer
13 Spacer	13 Tank	13 Starter holder
14 Screw	14 Chain	14 Starter S10
15 Clamping screw	15 Chock	15 Chock
16 Lamp	16 Lamp-holder	16 Lamp-holder
17 Lamp-holder	17 Lamp	17 Lamp
18 Black plastic cover	18 Insulator	18 Insulator
19 Screw Ø 4,2x16	19 H.T. grid	19 H.T. grid
20 H.T. grid	20 Clamp	20 Clamp
21 Insulator	21 Nut M3	21 Nut M3
22 Clamp	22 Screw Ø 3x8	22 Screw Ø 3x8
23 Screw Ø 3x8	23 Protection grid	23 Protection grid
24 Nut M3	24 Black plastic cover	24 Black plastic cover
25 Protection grid	25 Screw Ø 4,2x16	25 Screw Ø 4,2x16
26 Tank	26 Screw Ø 3,9x12	26 Screw Ø 3,9x12
31 Support	27 Spacer	27 Spacer
32 Microswitch	28 Screw	28 Screw
33 Rivet	31 Support	29 Tank
35 Filter	32 Microswitch	30 Chain
	33 Rivet	31 Support
	35 Filter	32 Microswitch
		33 Rivet
		34 Connecting terminal
		35 Filter
		36 Ferrite